

Thank you for choosing a NIVELCO instrument
We are sure that you will be satisfied throughout its use!



NIVOSWITCH
R-200 / R-300 series
VIBRATING FORK LEVEL SWITCHES

USER'S MANUAL

1. APPLICATION

NIVOSWITCH RF□-2/3□□- series vibrating forks are designed for detection of level of powder, and granules. When they are used as high or low fail safe switches overfilling and emptying of silos or vessels can be prevented. The RF fork series (basic type insertion length = 125mm) with casted forks are recommended for small granules, while the RR fork series (basic type insertion length = 137mm) with welded forks are recommended for larger granules. The R-300 forks with aluminium housing are also available in dust Ex version.

2. TECHNICAL DATA

| MODEL | | R-300 | R-200 |
|------------------------------|------------------|--|--|
| Wetted parts | | Casted fork DIN 1.4404 , welded fork DIN 1.4571 | |
| Process connection | | According to the order code | |
| Housing material | | Aluminium: Powder paint coated | Plastic: PBT fibre-glass reinforced, flame-retardant |
| Temperature ranges | Medium | -40 °C to +130 °C | |
| | Ambient | PP flange: -20 °C to +90 °C -40 °C to +70 °C | |
| Maximum pressure | | Max. 4 MPa (40 bar) (with PP flange 6 bar) See 2.4 Derating Diagrams | |
| Insertion length | | 125 to 3000 mm | |
| Minimum medium density | | ≥ 0.01 kg/dm ³ | |
| Response time | Getting immersed | ≤ 0.5 sec | |
| | Getting free | ≤ 1 sec at high density setting (≥ 0.5 kg/dm ³) | |
| | | ≤ 2 sec at low density setting (< 0.5 kg/dm ³) | |
| Operation mode indicator | | Bi-colour LED | |
| Operation mode selection | | Switch for selection of HIGH or LOW fail safe mode | |
| Density adjustment | | Switch for selection of HIGH or LOW Density | |
| Output | | 1 or 2 SPDT relays Relay 1: 250 V AC, 8 A, AC 1 Relay 2: 250 V AC, 6A, AC 1 | |
| Electrical connections | | 2x M 20 x 1.5 cable gland; Ø 6 to 12 mm cables 2 x NPT (thread terminal block for 0.25 to 1.5 mm ² wire cross section) | |
| Supply voltage | | 20 ... 255 V AC and 20 ... 60 V DC | |
| Consumption | | AC: 1.2 ... 17 VA ; DC: < 3 W | |
| Electrical protection | | Class I. | |
| Mark of explosion protection | | Ex II 1/2 D IP 67 T160°C | - |
| Ingress protection | | IP 67 (NEMA 6) | |
| Mass | | 1.3 kg + 1.2 kg/m | 0.95 kg + 1.2 kg/m |



Manufacturer

NIVELCO Process Control Co.
H-1043 Budapest, Dugonics u. 11.
Phone: (36-1) 889-0100 ♦ Fax: (36-1) 889-0200
e-mail: sales@nivelco.com ♦ www.nivelco.com

2.1 ACCESSORIES

- User's Manual
- Declaration of Conformity
- Certificate of Warranty
- Sealing 2 mm thick made of KLINGER OILIT (for 1" BSP process connection only)
- Plug-in type, 3-pole terminal block (2 pcs for standard and 3 pcs for models with 2 relays)
- Cable gland M 20 x 1.5 (2 pcs)

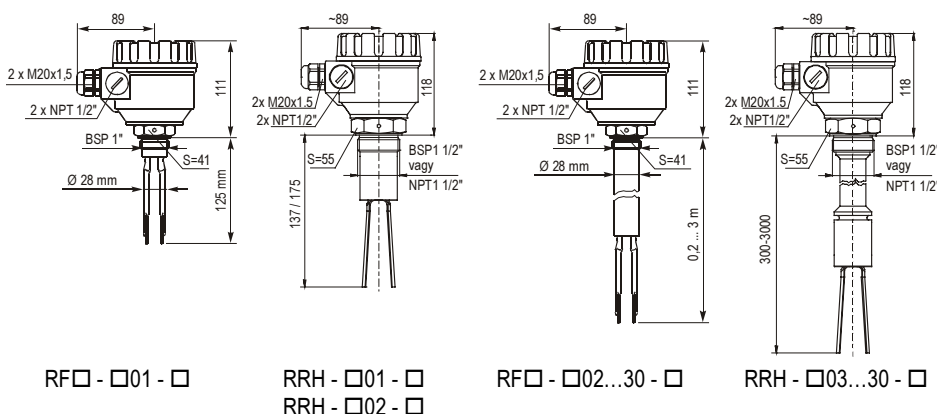
2.2 ORDER CODE

NIVOSWITCH R □ □ - □ □ - □ *

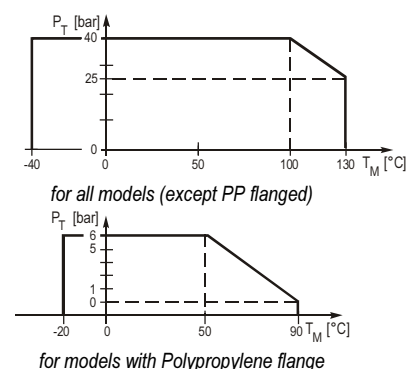
| TYPE | CODE | CONNECTION | CODE | HOUSING | KÓD | INSERTION LENGTH | CODE | OUTPUT | CODE |
|-------------|------|-----------------------|------|--------------|-----|------------------|---------|----------------------|------|
| Casted fork | F | 1" BSP | M | Casted alum. | 3 | 125 / 137 mm | 01 | 1 relay SPDT | 0 |
| Welded fork | R | 1 1/2" BSP | H | Plastic | 2 | 200 / 175 mm | 02 | 2 relay SPDT | A |
| | | 1" NPT | P | | | 0,3 ... 3 m | 03...30 | 1 relay SPDT dust Ex | B |
| | | 1 1/2" NPT | N | | | | | | |
| | | DN50, PN16 PP DIN | F | | | | | | |
| | | DN50, PN40 1.4571 DIN | G | | | | | | |
| | | 2" ANSI RF150 PP | A | | | | | | |
| | | 2" ANSI RF600 1.4571 | B | | | | | | |
| | | JIS 10K 50A PP | J | | | | | | |
| | | JIS 40K 50A 1.4571 | K | | | | | | |

*The order code of an Ex version should end is 'Ex'

2.3 DIMENSIONS



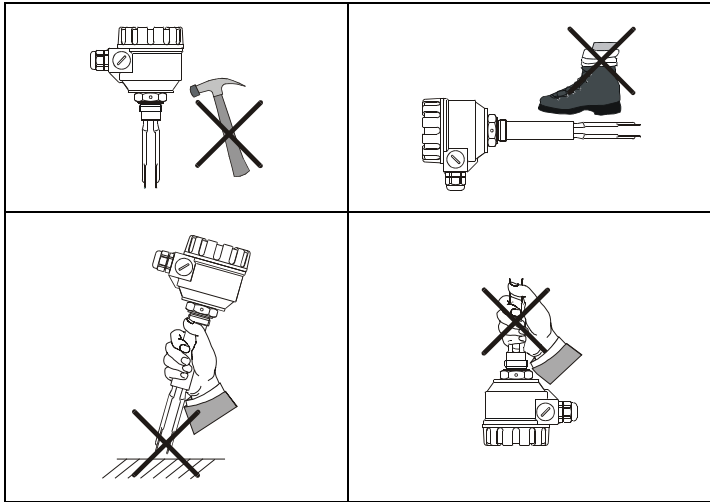
2.4 DERATING DIAGRAMS



3. INSTALLATION

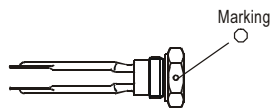
Prevent the unit from being damaged!

Before installation it is advised to try the operation of the level switch in a small sample of material in order to set the proper density.



Positioning: the plane of the fork-tines is perpendicular to the marked plane of the hexagonal neck.

If directional positioning of the fork-tines is needed (side mounting), use the TEFLON (PTFE) tape to seal the thread and position the fork-tines to the desired direction. In this case vertical positioning of the fork-tines is suggested.

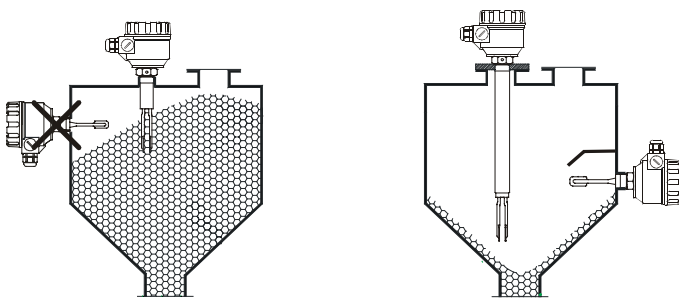


**Do not use housing to screw the unit into the process connection.
Do it by means of the SW = 41/55 mm hexagonal neck.**

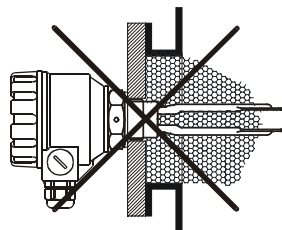
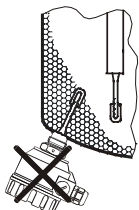
After screwing the device tight, the housing can be rotated by hand (max. 300°), to adjust cable glands to the required position.

The recommended mounting position for detecting light, free flowing solids is vertical (top) mounting. Side mounting is recommended only in case the fork-tines are easily freed from the process medium. In case of side mounting, NIVOSWITCH must be mounted with the fork-tines standing vertically. To determine optimal location of installation, possible caving or arching of the material in the tank should also be taken into consideration.

The fork should be protected against falling materials. This is to be done so that material could not clog between the fork and the protection plate.



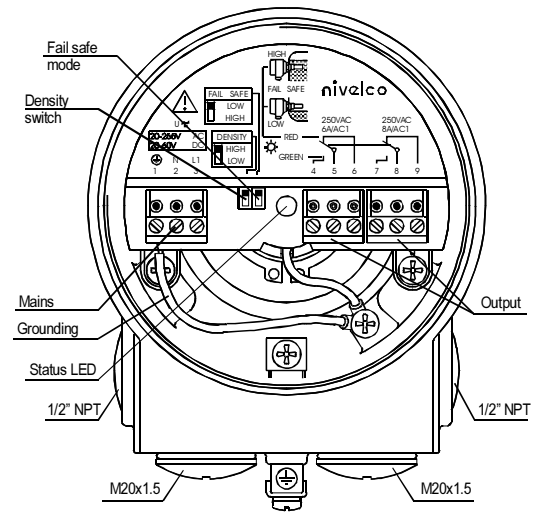
Recommended and false installations



4. ELECTRICAL CONNECTIONS

Use 6 ... 12 mm diameter cables with 0.25 ... 1.5 mm² wire cross section and tighten cable glands as well as housing cover after installation, to ensure IP 67 sealing.

Use the external or internal grounding screw terminal for grounding the unit. Common cables must not be used for AC and DC voltage, as well as for low and mains voltage.



ADJUSTMENT

| Power supply | Fork | Switch pos. | Operation mode | | Output | |
|--------------|------------------|-------------|----------------|--------------|--------------|--|
| | | | Fail safe | Status LED | | |
| Yes | Immersed | High | HIGH | RED | De-energised | |
| | | Low | LOW | GREEN | Energised | |
| | Free | High | HIGH | GREEN | Energised | |
| | | Low | LOW | RED | De-energised | |
| No | Free or immersed | HIGH or LOW | NOT LIT | De-energised | | |

Operation mode display is visible even after closing the lid.

After connection and adjustment the sealings should be checked and the lid closed carefully.

5. MAINTENANCE

The NIVOSWITCH vibrating forks do not require maintenance on a regular basis. In some instances, however, the vibrating section may need to be cleaned from deposited material. This must be carried out carefully.

6. STORAGE CONDITIONS

Ambient temperature: -25 to +60 °C

Relative humidity: max. 98%

7. WARRANTY

All NIVELCO products are warranted free of defects in materials or workmanship for a period of two years from the date of purchase, as indicated in the Certificate of Warranty.

rfm3010a0600h_06

July, 2006

Nivelco reserves the right to change technical specifications without notice.