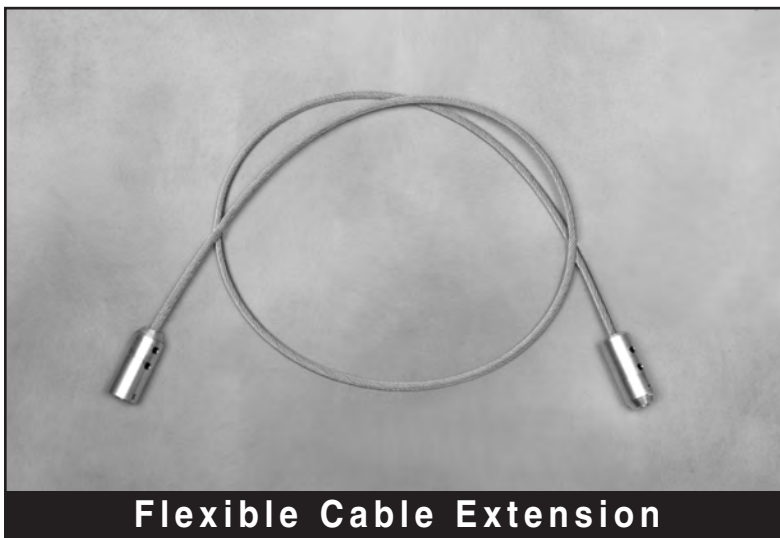


BULLETIN 214C

INSTALLATION & OPERATION

Cable Extension for Rotary Paddle Bin Monitor



The cable extension is intended for top mount applications only. This accessory is particularly suited for instances that require an extension and where a rigid extension may be impractical or undesirable. Such an installation would include severe material shifting that could damage a rigid extension. Unlike rigid extensions, the cable extension is insertable when mated with an insertable paddle.

The assembly is constructed of 304 stainless steel, which is consistent with the paddles. The cable extension is attached to the rotary paddle bin monitor in the same way a paddle would be. The use of a guard is required on cable extensions greater than 3 feet (0.9m) to ensure proper activation of rotary paddle bin monitor.

SPECIFICATIONS

Materials of construction: 304 stainless steel

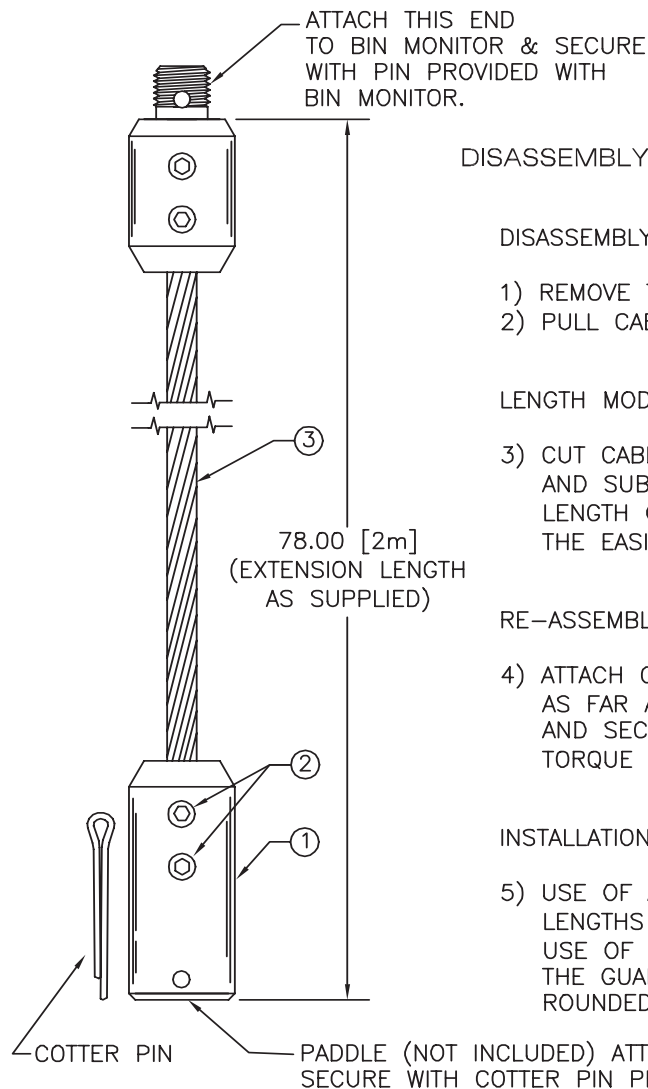


www.NIVETEC.com.br
SOLUÇÃO EM SISTEMAS DE MEDIÇÃO
Tel: (11) 5563-7698 - Fax.: (11) 5563-8375
e-mail: comercial@nivetec.com.br



MECHANICAL INSTALLATION

DIMENSIONS ARE SHOWN IN INCHES WITH MILLIMETER EQUIVALENT IN BRACKETS



INSTRUCTION FOR DISASSEMBLY, LENGTH MODIFICATION & REASSEMBLY OF CABLE EXTENSION

DISASSEMBLY:

- 1) REMOVE THE TWO SET SCREWS (ITEM 2)
- 2) PULL CABLE (ITEM 3) OUT OF COUPLING (ITEM 1)

LENGTH MODIFICATION:

- 3) CUT CABLE— DETERMINE DESIRED EXTENSION LENGTH AND SUBTRACT .81 [20.6]. THIS WILL BE THE CUT LENGTH OF THE CABLE. (THE MORE CLEANLY THE CUT, THE EASIER RE-INSERTION WILL BE.)

RE-ASSEMBLY:

- 4) ATTACH CABLE— RE-INSERT CABLE INTO COUPLING AS FAR AS IT WILL GO (WHICH IS APPROX. 1.44 [36.6]) AND SECURE WITH PREVIOUSLY REMOVED SET SCREWS. TORQUE SET SCREWS TO 50 IN./LBS [68 Nm].

INSTALLATION:

- 5) USE OF A GUARD IS REQUIRED WHEN CABLE EXTENSION LENGTHS EXCEED 3 FEET [0.9m]. THIS REQUIRES THE USE OF A FULL COUPLING FOR ASSEMBLING/MOUNTING. THE GUARD SHOULD BE PROVIDED WITH A SMOOTH AND ROUNDED END TO PREVENT CABLE WEAR.

STD UNLESS SPECIFIED
XX" [XXmm]

WARRANTY

Monitor Technologies LLC warrants each cable extension it manufactures to be free from defects in material and workmanship under normal use and service within two (2) years from the date of purchase. The purchaser must give notice of any defect to Monitor within the warranty period, return the product intact and prepay transportation charges. The obligation of Monitor Technologies LLC under this warranty is limited to repair or replacement at its factory. This warranty shall not apply to any product which is repaired or altered outside of the Monitor Technologies LLC factory, or which has been subject to misuse, negligence, accident, incorrect wiring by others or improper installation. Monitor Technologies LLC reserves the right to change the design and/or specifications without prior notice.

Monitor Technologies LLC

44W320 Keslinger Rd. ▼ P.O. Box 8048 ▼ Elburn, IL 60119-8048 ▼ 630-365-9403 ▼ 800-766-6486 ▼ Fax: 630-365-5646 ▼ www.monitortech.com

214C.2.0605